



DRIVE WITH   
dormakaba 

WIN  
**WIN A MG ZS**

RRP \$22,990



# NEWSLETTER

*This Month*

Drive with dormakaba | WIN a MG ZS

ABYL winners hosted by LSC

STU takes on the NT



# ABUS HIGH SECURITY STEEL PADLOCKS

SEEPL CERTIFICATION - 83 SERIES

PRECISION  
GERMAN  
ENGINEERING



### Locksmiths choice when Uncompromised Security is Required

When that high security job or Government installation requires high security padlocks, it's time to use an ABUS 83 series solid hardened steel body version. The models below are SEEPL Certified for use in Australian Government facilities.

- 83/55, 83/60 & 83/80 SCEC approved, for SL rating please check model
- Easily converted from snap shut to key captive function
- Removable cylinder assembly for quick rekeying
- Incorporates the popular 570 style barrel
- Chrome plated hardened steel lock body
- Double ball locking
- Special hardened alloy steel shackle with Nano-Protect™ as standard
- Compatible with most restricted keying profiles
- Wide range of shackles in different sizes
- 83/55 versions available for etching
- Wide range of accessories and spare parts are also available



**ABUS 83/55 Series**  
Security Level 3 (SL3)



**ABUS 83/60 Series**  
Security Level 3 (SL3)



**ABUS 83/80 Series**  
Security Level 4 (SL4)

Must have SCEC approved keying system installed and be key retained.  
When a keying system with a lower SL rating is used, the padlock inherits the lower SL rating.

For more information on the full range of ABUS hardened steel body padlocks please visit [lsc.com.au](http://lsc.com.au)



locking for life

# BRAVA METRO LEVERSETS



Locksmith professionals choose BRAVA Metro leversets for their quality and reliability. BRAVA Metro leversets are suitable for domestic and commercial applications. Fire rated and compatible with most restricted key systems. Choose BRAVA Metro leversets for proven reliability!

*Give your customers & yourself peace of mind with BRAVA Metro Leversets*

- ✓ Precision made
- ✓ Easy to install
- ✓ Variety of finishes
- ✓ Extensive range of parts
- ✓ Years of trouble-free service



**Metro Entrance Lever Satin Chrome (cylindrical)**

EL6000SC60



**Metro Entrance Lever Polish Brass (cylindrical)**

EL6100PB70



**Metro Entrance Lever Chrome Plate (cylindrical)**

EL6000BC70



**Metro Entrance Knob/Lever Satin Chrome (Cylindrical)**

EL3000SC70

*Visit [lsc.com.au](http://lsc.com.au) to see full range of functions and spare parts available.*

## NEW BRAVA CYLINDERS

New BRAVA Urban TE2 Rekeyable "Anti Panic" fixed cam Euro cylinders. Give your customers options by having all their TE2 locks keyed alike. Enjoy the easy to use rekeyable BRAVA Urban TE2 fixed cam Euro cylinders. BRAVA TE2 "emergency" euro double cylinder, 5 pin fixed cam. The "emergency" euro cylinder allows a key to enter and operate even with one side partly turned.



**NEW**



**Urban Euro Double Cylinder Anti Panic Rekeyable TE2 Profile KD with Fixed Cam Satin Chrome 70mm**

3170HETE2SCKD



**Urban Euro Double Cylinder Anti Panic Rekeyable TE2 Profile KD with Fixed Cam Polished Brass 70mm**

3170HETE2PBKD



**Urban Euro Double Cylinder Anti Panic Rekeyable TE2 Profile KD with Fixed Cam Chrome Plate 70mm**

3170HETE2CPKD



**Urban Euro 3140 40mm Half Cylinder 30/10mm LW4 Profile KD with Fixed Cam Satin Chrome**

3140HSCKD

# AUSTRALIA'S BEST YOUNG LOCKSMITH LSC HOSTS WINNERS

## LSC host 2023 & 2020 winners in Melbourne

We are thrilled to announce the outcome of our 2023 ABYL Award, which drew an exceptional response from talented young locksmiths nationwide. Following an intensive judging process, we were delighted to crown Jack from Macleay Security Locksmiths as the recipient of the prestigious title, Australia's Best Young Locksmith 2023.

In celebration of their remarkable achievement, we extended an invitation to Jack and the 2020 ABYL winner, Joel Gurney from JG Lock Safe Security, to join us in Melbourne for an enriching experience. They embarked on a curated tour of industry-specialist sites, immersing themselves in the latest advancements while savouring the vibrant atmosphere of our city with luxurious accommodation for a couple of nights. The highlight of their visit was the presentation of the ABYL trophy and prize packs by LSC's Mark Johnson.

We extend our heartfelt gratitude to our esteemed sponsors—ASSA ABLOY, SALTO, Sutton Tools, and KJ Ross—for their unwavering support. It is through their generous contributions that we are able to organise such a prestigious competition and uphold our commitment to championing the next generation of locksmith professionals across the nation.



ROSS Factory



ASSA ABLOY Factory



SALTO XSpence



2023 prize pack



Silca Coining

SPONSORED BY:



# PRODUCT SPOTLIGHT

visit [lsc.com.au](http://lsc.com.au) to see Lockwood range!



**NEW**

## LOCKWOOD LW9 PATIO SLIDING DOOR LOCK

The LW9 Patio Sliding Door Lock is the latest addition to the Sliding Door Lock range. Offering many great features and will retrofit with the existing Lockwood Onyx series locks. Surface mounted lockset suitable for use with most aluminium and timber sliding doors.

- Industry standard 82 mm fixing centres.
- 5 pin double cylinder
- Door closed detection (DCD) anti slam protects locking beaks from damage.
- Suits doors thickness range from 19 - 45 mm.

LW914UBLK



ASSA ABLOY



**NEW**

## LOCK FITTING TEMPLATES.

It's never been easier! BDS brings its all new templates to accurately prep doors for the fitment of various locks.

*Making life easier for Locksmiths*

*Locksmiths must have*



Installation Template for 530 Style Key in Knob/ Lever Lock 60/ 70mm Backset Steel

BDSTL5306070



Installation Template for Rim Mount Lock 60mm Backset Steel

BDSTLRIMLOCK60



Installation Template for 3540 Style Swing Bolt Mortice Lock 23mm Backset Steel

BDSTL354023



Installation Template for 3572 Style Mortice Lock 60mm Backset Steel

BDSTL357260



Installation Template for 3782 Style Mortice Lock 23mm Backset Steel

BDSTL378223



ADVANCED DIAGNOSTICS

# END OF FINANCIAL YEAR MADNESS

## SMART PRO ANNUAL UTP 35% OFF

*Go to [lsc.com.au](http://lsc.com.au) to find out more*

### Why Annual UTP

- ✓ Set and forget for a longer term.
- ✓ Maintain continuity of service without disruption.
- ✓ Maximise revenue generating capabilities.
- ✓ Facilitates new start and refresher training without penalty.
- ✓ Alleviate concerns about token wastage.

### Why SMART Pro

- ✓ Safe and reliable tool.
- ✓ The most comprehensive coverage in the market.
- ✓ Convenient on board information resource.
- ✓ Locally designed super easy to follow menus.
- ✓ Unrivalled after sales service and support.

#### Terms & conditions

Offer strictly valid 1st May – 30th June 2024. Not available in conjunction with other offers.

SMART Pro the choice of key programming professionals.

# CARLAB

Your Ultimate Resource for Automotive Key Cutting and Diagnostic Key Programming.

*Available across multiple platforms*

It covers vehicle model, transponder, diagnostic, hints & tips, remote programming information for hundreds of Australian regional specific models.

You will no longer be required to cross reference any international catalogues as all your information is available online!

Sign up now for your 1 year subscription (Recurring billing, which you can stop anytime from your Dashboard).

CARLAB12MR



# UPCOMING COURSES

*Upskill yourself and your team to grow your businesses capabilities*



## MILESIIGHT CCTV FUNDAMENTALS ESC601 | LVL 1 (NVR)

9 - 3PM (6hrs) LUNCH INC.

**NSW** Wednesday, 15 May 2024  
**VIC** Thursday, 23 May 2024  
**QLD** Wednesday, 12 June 2024



## RISCO LIGHTSYS PLUS ESI502 | LVL 1

8 - 4PM (8hrs) LUNCH INC.

**VIC** Thursday, 30 May 2024  
**QLD** Thursday, 13 June 2024



## CS TECHNOLOGIES EVOLUTION ESA401 | LVL 1

9 - 3PM (6hrs) LUNCH INC.

**NSW** Thursday, 2 May 2024  
**WA** Tuesday, 28 May 2024  
**VIC** Tuesday, 18 June 2024

To sign up or for more course info visit [lsc.com.au/teched](https://lsc.com.au/teched)

## LSC TEST LAB

*The Search for a decent pick gun*

When our previous supplier of pick guns announced he was closing up shop, we made a bulk purchase – taking every last gun we could get our hands on. But we knew they wouldn't last forever, and a new source would have to be found.

So what's the problem? Well . . . in simple terms – they just don't make 'em like they used to. Once upon a time we sold a made-in-USA product that was heavy duty, reliable and could be used for years to come. Over time the quality decreased. Now the American brands all source their pick guns offshore, so there was no reason to go to that traditional source any more.

We asked our extensive network of suppliers to put up their best offer. What we received was interesting, and highlighted the depth of the problem to source quality products. The first one fell apart after a few clicks – no thanks. Others had a strange 'feel' or 'action', and our test team didn't think our customers would like them. A couple were pretty good, but didn't have the right balance of adjustment or trigger action.

We're always looking to balance quality and price. Five models from different factories were sampled before we settled on one. A new pick gun has been selected and is on the way, and it should be on the shelf next month.





## dormakaba

### MUST-HAVES

No matter where you need innovative, reliable access and security solutions, dormakaba is there for you. Their high-quality portfolio encompasses secure access solutions to suit hotels, shops, sports facilities, airports, hospitals, residential spaces and offices.

This selection of dormakaba “must haves” highlights the top performing dormakaba products that have become a staple of the security industry.



**SB2212 CLASSROOM SHORT BACK LOCK KIT**

*DKSB2212KIT6*



**ENTRANCE LOCK KIT 600 SERIES**

*KIT3*



WIN

**WIN A MG ZS** RRP \$22,990

**Australia's Best-Selling Compact SUV**

With an 8" Colour Touchscreen, luxurious front grille, LED DRL headlights, 3D audio and rear-view camera, the MG ZS combines practicality with style to create the ultimate compact SUV.

**How to enter**

Earn one (1) entry for every \$1,500 (ex. GST) spent on dormakaba products between 1st May - 30th June 2024. No limit to the amount of entries per customer. **The MORE you spend the MORE chances to WIN**

\*Terms & Conditions: "Drive with dormakaba" giveaway promotion runs from 01/5/24 to 30/06/24 and is exclusive to LSC locksmith clients. The \$ spend of \$1,500 ex GST will be calculated for the entire months of May and June 2024 only. For a list of terms and conditions go to [www.lsc.com.au/drive-with-dormakaba-win-a-mg-zs](http://www.lsc.com.au/drive-with-dormakaba-win-a-mg-zs)



**TS93G EN1-5 CLOSER**

*DOTS93GN*



**TS93B EN1-5 CLOSER**

*DOTS93BN*



**TS83 EN3-6 CLOSER**

*DOTS8300SIL*



**MS2 CLASSROOM LOCK KIT 600 SERIES**

*KIT4*



**TS73 EN1-4 CLOSER**

*DOTS7300SIL*



**TS92B EN1-4 CLOSER**

*DOTS92B*

# ADI SL5 RANGE

*Aussie Made = Aussie Jobs*

Visit [lsc.com.au](http://lsc.com.au) for the full ADI Lock Bolt Slimline range.



The ADI SL5 narrow style heavy duty locking bolt is the industry standard.

Suitable for securing shop fronts, warehouses, hotels, community recreation areas, storage facilities and garages.  
Ideal solution for narrow style doors or gates.



**ADI Lock Bolt SL5 Slimline SC**

44143000



**ADI Lock Bolt SL5 Slimline SC less Cylinder**

44143005



**ADI Lock Bolt SL5 Slimline with 100 mm Travel SSS**

ADISL5100THROW

# BORG LOCKS MARINE GRADE PRO ECP

**Features:**

- Supplied with code change block pins for deactivating external code change procedure (optional)
- Designed for light to medium usage areas
- Saltwater tested
- Suitable for external use

*Easi-code procedure, 10 second code change, no tools required*



**Digital Lock 5051 M/Grade Pro Black Lever/Lever BTB ECP**

BL5051MGPROECP



**Digital Lock 4441 M/Grade Pro Lever/Lever BTB ECP**

BL4441MGPROECP



**Digital Lock 2621 M/Grade Pro Lever/Lever BTB ECP**

BL2621MGPROECP

# REMSAFE VENLOCK

*Back in stock now!*

Visit [lsc.com.au](http://lsc.com.au) for the full Remsafe window restrictor range.

## The original Remsafe Venlock window restrictor is back by popular demand.

The original Venlock was replaced by the Venlock Mini. Due to its popularity and the need to match lost or missing locks on older installations Remsafe has decided to reinstate this model.

Over time many older locks have been lost or misplaced in homes, strata properties and rentals, making them non-compliant under NSW Strata Scheme & the National Construction Code. Time to have that conversation with your customers and Strata managing agents now to replace those lost or missing locks.

### NSW STRATA SCHEME REQUIREMENTS

Under recent legislative changes, all owners corporations in NSW must install window safety devices on all applicable windows before 13 March 2018.

### NATIONAL CONSTRUCTION CODE REQUIREMENTS

To improve window safety in Australia, specific window safety measures have been introduced to the National Construction Code (through Building Code Australia 2013).



# SECURE 6 C PROFILE

Secure 6 was released to the market in 2014 with the A profile, since then we have released various profiles for regional use and more recently the B profile.

*Aussie Made = Aussie Jobs*

**NEW**

LSC is happy to announce the release of the Secure 6 C profile to the Secure 6 suite. This profile will sit in the same family as A & B which has the profile master of M1. Secure 6 C will have a full 10 year design registration protection.

Key Blanks will also be ready to supply.  
Please speak to your local account manager to become a Secure 6 dealer.

Secure 6 A – Protection ends in 2024.  
Secure 6 B – Protection ends in 2029.  
Secure 6 C – Protection will end in 2034.



Barrels available will be:

- S6C570SC
- S6C201SC
- S6C8221SC
- S6C530SC
- S6C001SC
- S6C95551CP
- S6C95552CP
- S6C95553CP



# THE ULTIMATE ELECTRONIC PADLOCK SOLUTION



SALTO Systems has introduced the SALTO Neoxx G3 electronic padlock, the most advanced and versatile locking system on the market, which is suitable for a wide range of access control applications. With exceptional attention to detail, this electronic padlock offers unbeatable durability and reliability, ensuring that property and valuables are kept safe and secure at all times.



## HARDWARE

The SALTO Neoxx G3 padlock is made of hardened steel with a removable shackle model option, ensuring maximum durability. It is also IP66 - IP68 rated for water-resistance and IK08 impact-resistant, making it suitable for any kind of climatic environment, even those that are very extreme. The shackle is available in 8mm diameter and length options of 25mm, 30mm, 60mm, and 90mm. The padlock has been extensively tested, with up to 130,000 operations on a standard set of batteries (4 x LR1).



## CONNECTIVITY

The SALTO Neoxx G3 integrates RFID, Bluetooth LE, and NFC technologies to provide the ultimate keyless experience and the most advanced electronic locking system available. In addition, the Neoxx G3 electronic padlock features SALTO SVN data-on-card and BLUEnet wireless network capable core technologies onboard. The padlock can read, receive, and write information via a smart card or real-time communications over the air (OTA). It is compatible with the SALTO Space, SALTO KS and Homelock platforms.



## CREDENTIALS

The SALTO Neoxx G3 is fully compatible with a wide range of credentials, including card, wristband, fob, or phone (Apple and Android). Users on the SALTO KS system can even use Apple Wallet with an iPhone or Apple Watch.





***“We stand behind the durability and functionality of our RISCO products, and we are proud to pass along the peace-of-mind to our customers with a top of the line 5-Year Warranty,”***

**David Lorimer**  
Product Manager

**EXCLUSIVE TO LSC**

## Revolutionary 5-Year Warranty on RISCO Alarms

RISCO introduces a revolutionary 5-Year Warranty on alarm products, delivering unprecedented peace-of-mind to LSC customers.

Over the past four decades, RISCO has become a technological leader in the global security solutions market, with millions of satisfied customers worldwide and regional offices around the globe.

Developing cloud-based security, video monitoring and verification, and connected home solutions, RISCO delivers innovative, top quality and reliable security products for every type of security and safety installation for the residential and commercial markets.

RISCO is thrilled to announce the launch of an industry-leading 5-Year Warranty on all its alarm products. This ground breaking initiative is set to redefine customer expectations, providing unparalleled peace of mind to homeowners and businesses alike.

### Key features of the new RISCO warranty include:

Comprehensive coverage: The warranty encompasses all components of RISCO's alarm products, ensuring complete protection against manufacturing defects and malfunctions.

Long-term peace of mind: With a duration of 5 years, customers can rest assured knowing their investment is safeguarded well beyond the standard warranty periods offered by competitors.

Hassle-free support: In the event of any issues, customers can rely on LSC's expert technical support team for prompt assistance and resolution. 5-Year product warranty period



# MASTER LOCKSMITHS

ASSOCIATION OF AUSTRALASIA



## MLAA BRANCH MEETING

We're excited to invite you to the next Victorian MLAA Branch meeting at the Distribution & Training Centre in Brooklyn next month! Enjoy delicious food truck delights, fantastic giveaways, EOFY specials and door prizes. Meet our trade partners and discover a diverse range of products on display.

Don't miss out on this fantastic opportunity to mingle with industry professionals, discover new products, and enjoy a memorable experience!

Please RSVP by Monday 3 June to secure your spot at this exclusive event.

**RSVP: Brad Coward [bcoward@lsc.com.au](mailto:bcoward@lsc.com.au)**

### Where

LSC Distribution & Training  
Centre 4 - 16 Export Drive,  
Brooklyn VIC 3012

### When

Thursday, 13 June 2024  
6:00 - 9:00 pm

*Come along and support YOUR industry*



# SECTECH ROADSHOW



## SECTECH ROADSHOW

SecTech Roadshow is a touring tradeshow that covers 5 Australian state capitals over 2 weeks every year in May and draws 2000-2500 attendees. The compact size and local venues make SecTech Roadshow the perfect opportunity for installers and end users to get explore a wide array of solutions in a vibrant half-day.

There is a special atmosphere at SecTech Roadshows, with an extended happy hour at the end of each day and loads of awesome giveaways. Now in its 9th year, SecTech has proven itself a special event on the security industry calendar. We look forward to seeing you there!

**Save your place today**  
**Register online to enjoy FREE venue parking**  
[sectechroadshow.com.au](http://sectechroadshow.com.au)

### Perth

Thursday 9th May  
Crown Perth

### Sydney

Tuesday 21st May  
Rosehill Gardens

### Adelaide

Tuesday 14th May  
Adelaide Showgrounds

### Brisbane

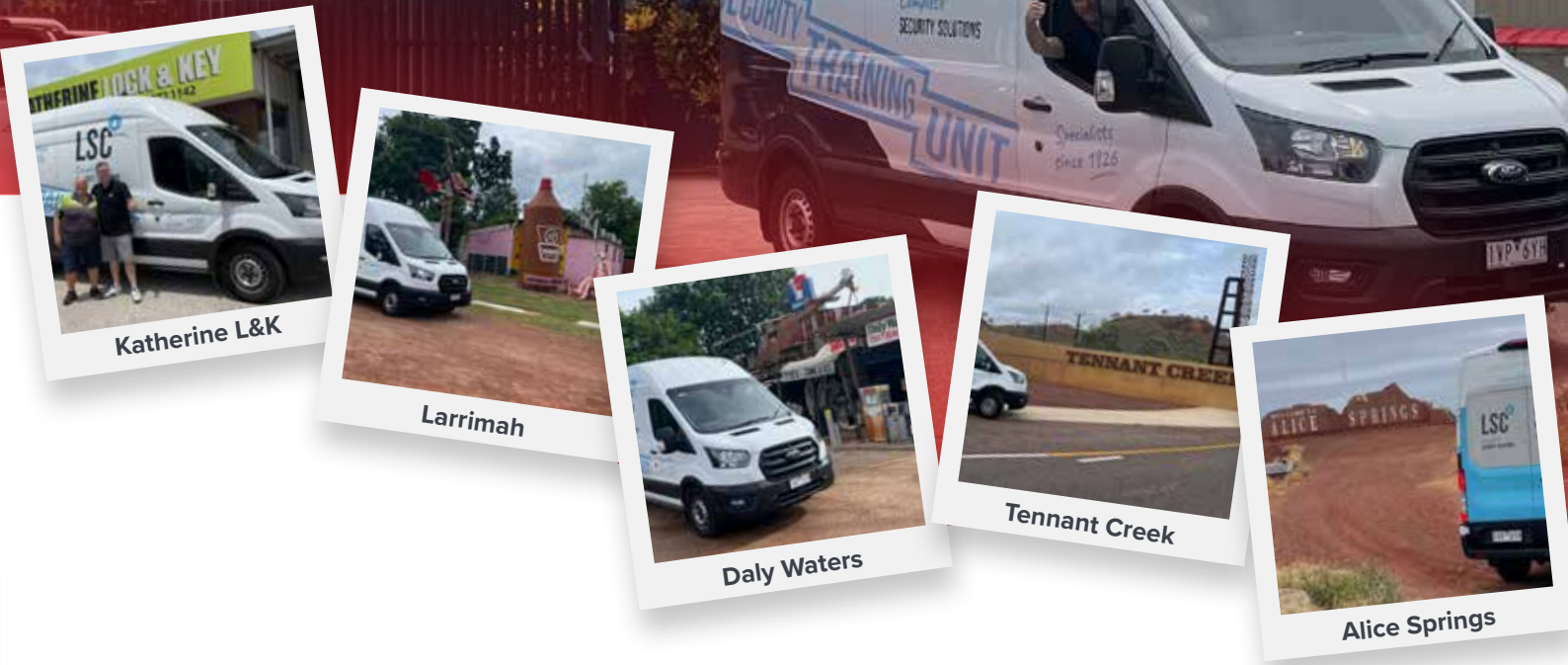
Thursday 23rd May  
RNA Showgrounds

### Melbourne

Thursday 16th May  
Melbourne Convention  
& Exhibition Centre



# STU TAKES ON THE NT



In late March STU embarked on an exciting journey through the Northern Territory, traveling from Darwin to Alice Springs and stopping at picturesque locations along the way!

From Darwin to Katherine, Larrimah to Daly Waters, Tennant Creek, and finally, Alice Springs, STU was showcasing our state-of-the-art security solutions amidst the stunning landscapes of the Northern Territory.

As we traversed this remarkable terrain, we're thrilled to bring our innovative security offerings directly to our valued customers. Our mobile showcase features hands-on demonstrations of cutting-edge key-cutting machines and automotive solutions, offering a first-hand experience of the finest security products in Australia.

A big thank you to Brad & Andrew for making this incredible adventure possible! Stay tuned for updates on STU's upcoming journey from Alice Springs to Adelaide.



# PROTECTOR SERIES



Enjoy the benefits of quality **European made** **PROTECTOR Series Mortice Locks**.

LSC stock an extensive range of “hard to find” short backset 85mm pitch Mortice Locks.

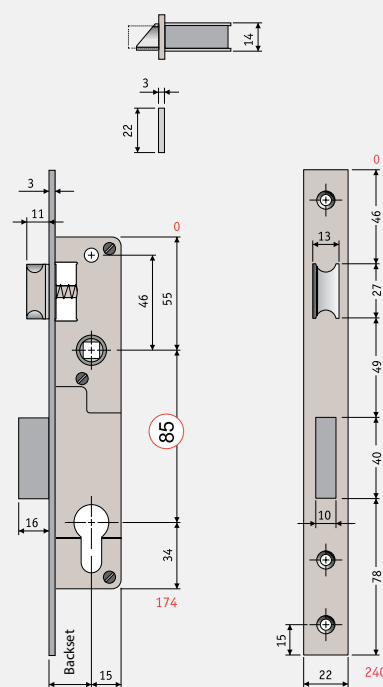
Explore the **PROTECTOR Lock** range today.  
Electronic catalogue now available.



Series 485

## PROTECTOR Series 485 Mortice Sash Lock

- Euro cylinder operated mortice lock.
- 20mm, 25mm, 30mm, 35mm & 40 mm backsets
- Pitch 85 mm.
- Face plate 240 (L) x 22 mm (W).
- Easily reversible without opening the case.
- 8 mm spindle hub.
- Single throw 15 mm deadbolt.
- Key retracts latch.
- Incorporates a fixed cam euro style cylinder.
- Supplied less cylinder.
- Supplied with Euro cylinder retaining screw.
- Supplied with black plastic escutcheons, strike plate & fixing screws.
- Strike 170 (L) x 24 mm (W) with 16 mm lip.
- Supplied boxed.
- Finished in Satin Stainless Steel or Satin Brass.



Code	Backset	Colour
PR48520SB	20 mm	Satin Brass
PR48520SS	20 mm	Satin Stainless Steel
PR48525SB	25 mm	Satin Brass
PR48525SS	25 mm	Satin Stainless Steel
PR48530SB	30 mm	Satin Brass
PR48530SS	30 mm	Satin Stainless Steel

Code	Backset	Colour
PR48535SB	35 mm	Satin Brass
PR48535SS	35 mm	Satin Stainless Steel
PR48540SB	40 mm	Satin Brass
PR48540SS	40 mm	Satin Stainless Steel

### TERMS & CONDITIONS

Product features and pricing in this newsletter are subject to change without notice. Special promotional prices advertised here are for the month the newsletter has been published. However, some offers may commence on or extend beyond the promotional period. Most products have been photographed in-house and are identical to what you will receive. Information presented in this newsletter has been checked and is believed to be correct at the time of printing, however, errors and omissions may occur. LSC can not guarantee prices, specifications, or features of products that may change after printing.