

24A*R66FPS Series Floor Standing Cabinet

The Datatek Floor Standing Cabinet Series is ideally suited for server rooms, audio rooms, wiring closets, manufacturing areas, warehouses, or anywhere where networking equipment needs to be protected and maintained. The cabinet comes with a tempered glass front door with over 180 turning degree and vented front door border. The steel rear door with lock, keyed to match side panels and front door for convenience. Adjustable feet and castors supplied in the accessories kit. Easy assess cable entry on the top and adjustable cable entrance at the bottom with panel. Advanced handle locks for front door. Efficient baying kit of cabinet, complete with earthing points.

Standard:

Comply with ANS/EIA RS-310-D, IEC297-2, DIN41491, Part 1, DIN41491, Part 7, ETSI Standard.

Material:

SPCC quality cold rolled steel.

Thickness: Mounting Profile: 2.0mm, Mounting Angle: 1.5mm, other 1.2mm.

Loading Capacity:

Static loading: 800kg (on adjustable feet)

Degree of protection:

IP20

Surface finish:

Degreasing, Pickling, Phosphating, Powder Coated.

Sturdy Welded Construction.

Fully welded and assembled.

Doors and Side Panels:

Toughened glass door with surrounding metal panel for added protection.

Removable Side Panels with key locks. Keyed to match the Door lock and Rear Door lock.

Large Door Opening Angle.

Opening of front door is more than 180°.

Additional Items Included in the box:

Cooling Fans

6 Outlet PDU

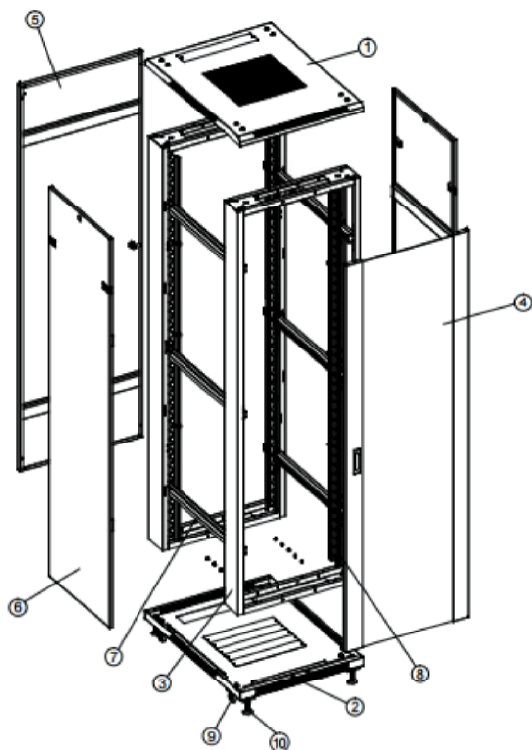
Fixed Shelf

Lock Keys

Removable Cable Entry Cover Plates



Capacity(U)	Dimension W*D*H(mm)	Packing Dimension W*D*H(mm)	Volume(CBM)
18	600*600*988	620*620*1000	0.3844
22	600*600*1166	620*620*1180	0.453592
27	600*600*1388	620*620*1400	0.53816
32	600*600*1610	620*620*1625	0.62465
37	600*600*1833	620*620*1850	0.71114
42	600*600*2055	620*620*2070	0.795708
47	600*600*2277	620*620*2290	0.880276



S/N	Name	Quantity
1	Top cover	1
2	Bottom panel	1
3	Door frames	2
4	Front door	1
5	Rear door	1
6	Side panel	2
7	Horizontal beam	6
8	Vertical rail	4
9	Castor(2 with brake)	4
10	Levelling feet	4

Note:

≤32U with 4 horizontal beams.

> 32U with 6 horizontal beams.

Side panel with small round lock.