

Quick Reference

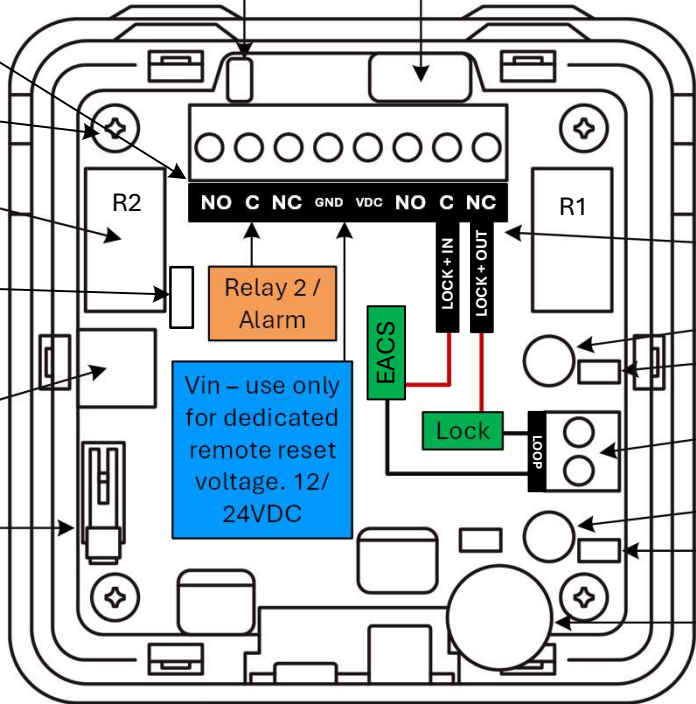
J7 Low voltage option. Set to on only when lock power is under 12VDC

S6 Reset mode switch <Remote - Auto >

Cycle VDC for remote reset ON-OFF-ON

For auto reset do not connect VDC. Switch S6 to AUTO to reset using lock power

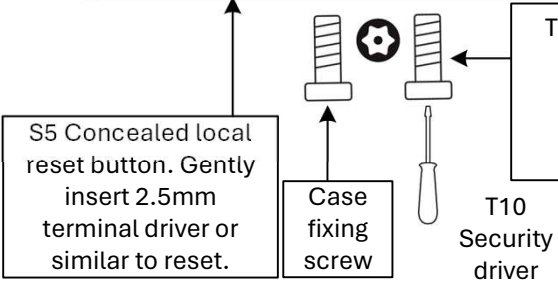
- Use R2 NO+C for alarm monitoring
- PCB Screws X 4
- Relay 2 - 3A
- J9 Relay 2 On = Alarm Off = Door Relay
- J2 Tamper (NC)
- S8 Tamper Switch
- Fix base tab to wall to activate rear tamper.



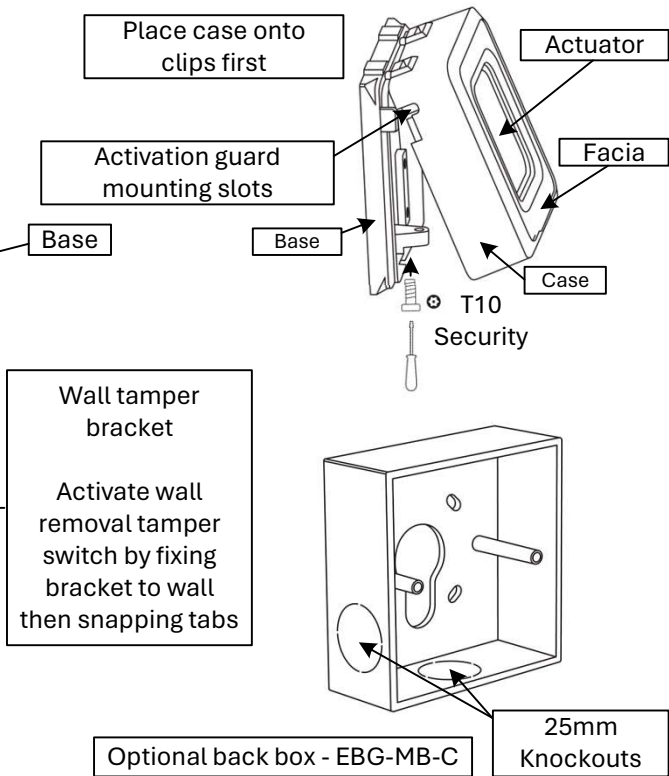
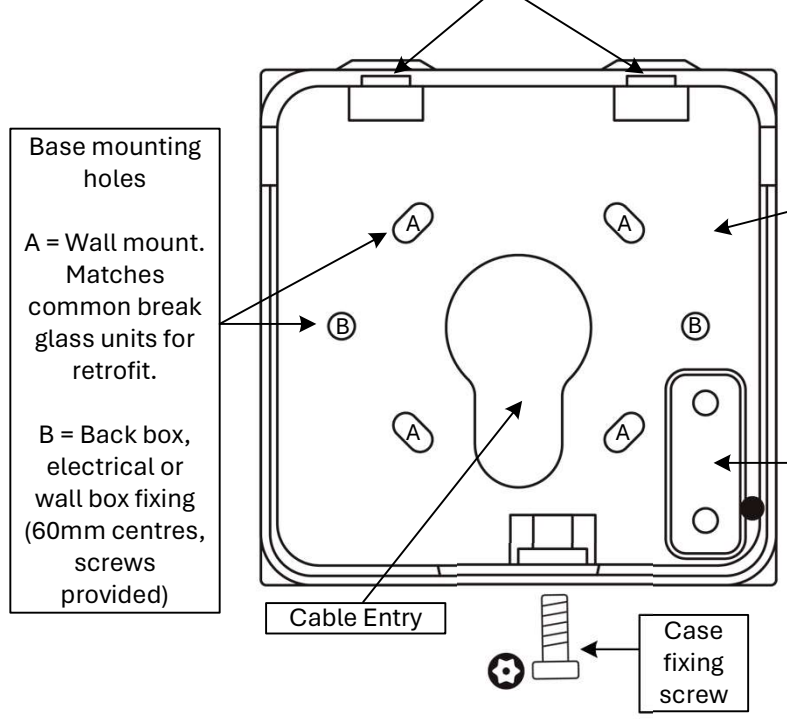
- Relay 1 - 3A Door/lock control & auto reset
- Brightness
- J5 LED On/Off
- Common (loop) lock negative
- Volume
- J6 Sounder On/Off
- Sounder

Tighten screw to engage override. To reset turn clockwise and then press reset button.
Remove screw and PCB then install screw in reverse inside the case to disable override.

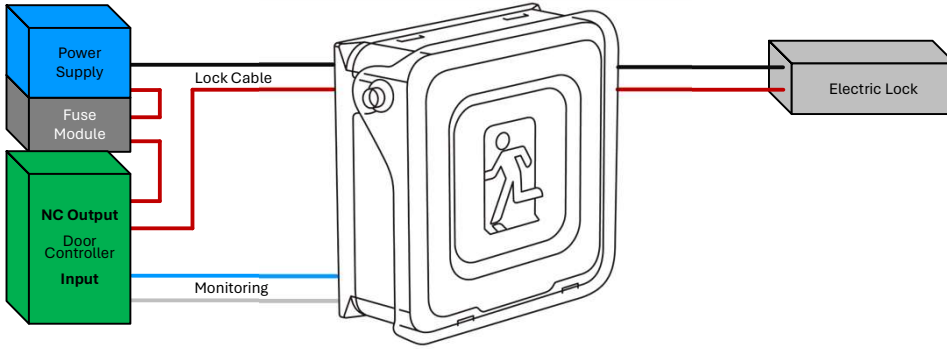
VDC and lock power must be protected by an upstream fuse. Jack Fuse PP8FR recommended.



Physical Installation



Simplified Mode Drawings

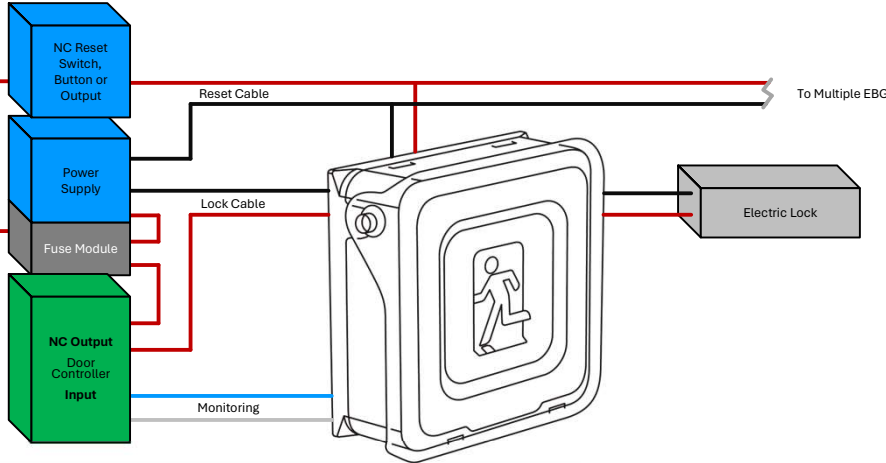


Lock Power Control

SET S6 to AUTO. EBG will reset when lock power is removed.

Suitable for retrofits.

Connect lock power in to R1 C.
Connect lock power out to R1 NC



Dedicated Power Control

SET S6 to REMOTE. EBG will reset when VDC is removed.

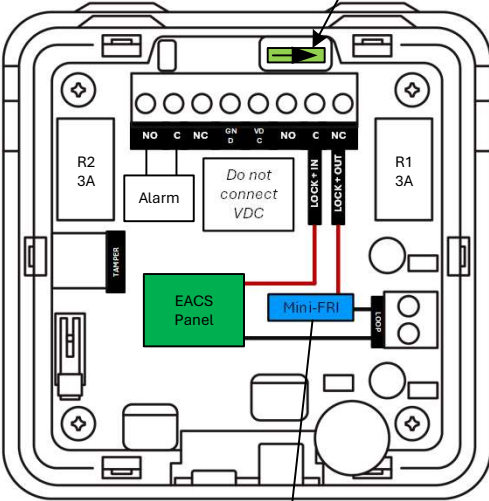
Provides extra control over reset for higher security areas.

NOTE: A non switched DC voltage can also be used to power the EBG. (reader power) In this case the local switch is the only reset option.

Automatic Door Control

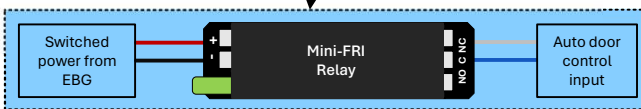
Set S6 to AUTO

Auto Reset/Lock Power Mode



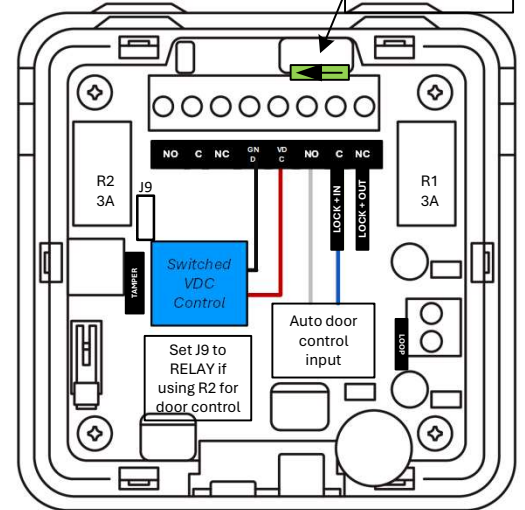
In auto/lock power control mode, use a Jack Fuse Mini-FRI relay interface to provide a dry contact to the automatic door.

The Mini-FRI relay can be controlled the same way as a lock and should be mounted close to the door controls.



Remote Reset/Dedicated Power Mode

Set S6 to REMOTE



In dedicated power mode the R1 or R2 relay dry contacts can be used to control the auto door.

Technical Data

Conductor Size	2.5mm ² (22-12AWG) Relays & common terminal
Conductor Size	1.5mm ² (28-16AWG) Tamper terminal
Operating voltage	9-28VDC
Dimensions	86X86X40mm (with guard)
Sounder	~80dB adjustable
Primary materials	Polycarbonate, Polyamide 46, fiberglass
Country of origin	China

Ordering

EBG-C	EBG with guard
EBG-MB-C	Surface mount back box
Mini-FRI-12	Relay for auto door/gate 12VDC
Mini-FRI-24	Relay for auto door/gate 24VDC

Power

Maximum	55mA @ 13.8VDC
Relay Contacts	3A Max