

DHI-LPH86-MC480-U

86 inch Smart interactive whiteboard



Series Overview

Dahua DeepHub Ultimate Smart Interactive Whiteboard has powerful processing capabilities with its built-in 8-core CPU, 4-core GPU, 8 GB RAM, 128 GB storage, and Android 13 operating system with EDLA. With a high-precision infrared touch sensor and a 4K DLED display, this interactive whiteboard will give you an extraordinary experience whether you are writing, controlling or displaying content. It features video conferencing, wireless screen sharing, UHD display, scan and go, and more. Let this whiteboard be your go-to choice to digitalize your office and classrooms.

Functions

4K HD Display

With up to 3840 × 2160 resolution, the 4K HD display delivers a clear image in sharp, vivid colors.

Easy to Share

Enhances the experience of sharing files by scanning a code. It automatically determines the network of the device to readily share the QR code across the extranet and the intranet. QR code encryption and extraction are also featured, providing privacy and data security through the required entry of a 6-digit password for verification.

File Management

Supports managing and using Office files, image, video and audio files, and file formats such as PDF and TXT.

Similar to Real Writing Experience

The electronic whiteboard supports pen-point writing. It comes equipped with specialized pressure-sensitive writing pens, designed to enhance the writing experience. With its soft, comfortable nib, writing on the whiteboard feels natural, similar to the real writing experience.

- Displays in 4K Ultra HD and uses 4K UI.
- Features split screen, and performs screen sharing between the whiteboard and phones, computers, tablets and more devices.
- Microsoft Office and other related software can be installed, and it can play audio and video files in various formats.
- Offers a smooth writing experience through handwriting recognition, pen writing, the fast writing response speed, and pen pressure recognition for a real writing experience.
- Intelligent text.
- Intelligent pen detection that automatically wakes up the whiteboard for annotations when the pen is lifted. Built-in 48M camera 8-array microphone design.
- Features sound source positioning.
- Offers NFC.
- Includes a full-featured Type-C IN port and supports charging through USB PD up to 100 W.
- With its 2 built-in mid-high frequency speakers, and 2 low-frequency speakers, the device emits sound from its top and supports 2.2-channel audio output.
- Produces vibrant visuals through its high color coverage, low blue light emission, and accurate color reproduction.
- Optional OPS module, dual-system switchable

Text Recognition

Converts written letters into text in real time, using the default font of the system.

Wireless Screen Sharing

In addition to basic file sharing, the device offers wireless screen sharing, interactive operations between two screens, and reverse transmissions. It also supports screen grouping (multiple transmission), host mode (for overall permission control), real-time transmission of images, videos and audios from the wireless camera of the mobile phone to the device, and split-screen mode that displays up to 9 splits on the same screen.

Technical Specification

Built-in System

Main Processor	RK3588
Operating System	Android 13.0
CPU	Quad-core A76 + Quad-core A55
CPU Frequency	2.4 GHz
GPU	Mali-G610 MP4
RAM	8 GB
ROM	128 GB

LCD Panel

Panel Dimensions	86 inch
Backlight	DLED
Aspect Ratio	16: 9
Brightness	400 cd/m ² (typ.)
Static Contrast	VA: 5000: 1 (typ.); IPS: 1200: 1 (typ.)
Resolution	3,840 (H) × 2,160 (V)
Viewing Angle	178° (H)/178° (V)
Lifespan	≥50,000 hrs
Display Color	1.07 Billion (10 bits)
Response Time	8 ms
Refresh Rate	60 Hz

Camera

Camera	48 MP
Field of View	H: 98°; D: 106°

Device Ports

Light Sensor	Yes
Front Button	6 buttons: Power supply, menu, signal source, curtain, volume and annotation
Front Ports	2 × USB 3.0 Type-A; 1 × HDMI IN; 1 × USB Type-C IN (100 W fast charge, data transmission, local area network); 1 × Touch USB2.0 Type-B;
Rear Port	3 × HDMI IN (4K@60 Hz); 1 × HDMI OUT (4K@60 Hz); 1 × DP IN; 1 × USB 2.0 Type-A; 2 × USB 3.0 Type-A; 1 × USB Type-C IN port with 15 W max charge that receives input for audio, videos, data, and network sharing; 1 × USB Type-C OUT (4K@60 Hz); 2 × TOUCH USB 2.0 Type-B ports which support touch and wired network sharing of 100 Mbps; 1 × AUDIO IN (3.5 mm port); 1 × AUDIO OUT (3.5 mm port); 1 × SPDIF; 1 × RS232; 1 × RJ45 IN (10/100/1,000 Mbps); 1 × RJ45 OUT (10/100/1,000 Mbps) ;

Wi-Fi	Yes
Wi-Fi Standard	Wi-Fi Station: 802.11b/g/n/a/ac/ax Wi-Fi AP: 802.11b/g/n/a/ac
Wi-Fi Frequency Range	2400–2483.5 MHz; 5150–5250 MHz; 5250–5350 MHz; 5470–5725 MHz; 5725–5850 MHz;
MAX Power Transmission (Wi-Fi)	≤20 dBm@2400–2483.5 MHz; ≤23 dBm@5150–5250 MHz; ≤20 dBm@5250–5350 MHz; ≤27 dBm@5470–5725 MHz; ≤14 dBm@5725–5850 MHz;
Bluetooth	Yes
Bluetooth Standard	BT5.2 BR/EDR/BLE
Bluetooth Frequency Range	≤20 dBm@2400–2483.5 MHz
MAX Power Transmission (Bluetooth)	≤20 dBm
RFID Modulation Method	ASK
RFID Frequency Range	13.56 MHz
MAX Power Transmission (RFID)	13.56 MHz;≤42 dBuA/m @10 m

Function

IR Receiver	1
Card Swiping with NFC	Yes
Wireless Access Point	Wi-Fi 5, 2.4 GHz and 5 GHz dual band, 802.11 ac/n

Touchscreen

Touch Technology	Infrared
Attachment Method	Zero Air Gap
Response Time	≤2.5 ms
Touch Points	Android:32 points;Windows:50 points
Touch Accuracy	±1.5
Valid Touch	2 mm
Touch Height	2 mm
Writing Mode	Finger and stylus pen (magnetic)
Communication Mode	USB
Anti-light Interference	Anti-glare tempered glass
Surface Hardness	≥9H
Touch Resolution	32,768 × 32,768

Speaker

Built-in Speaker	4 (CH2.2)
Power	2 × 8 W + 2 × 18 W
Frequency	150 Hz–20 kHz

Microphone

Microphone	8
------------	---

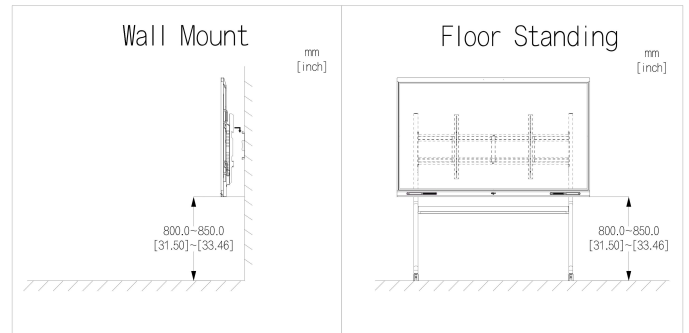
Ulti for Meeting | DHI-LPH86-MC480-U

Pick-up Distance	0 m–12 m (0 ft–39.37 ft)
AGC	Yes
Echo Cancellation	Yes
Intelligent Noise Filtering	Yes
General	
Power Supply	100–240 VAC, 50/60 Hz, 6.5 A
Power Consumption	320 W (typ.); 650 W (max.)
Standby Power Consumption	≤0.5 W
Operating Temperature	0 °C to +40 °C (+32 °F to +104 °F)
Storage Temperature	–20 °C to +60 °C (–4 °F to +140 °F)
Operating Humidity	10%–90% (RH)
Storage Humidity	10%–90% (RH)
Product Material	Metal
Glass	3.2 mm anti-glare tempered glass
Casing Color (Frame/Rear)	Black
Product Dimensions	1,957.1 mm × 1,178.6 mm × 98.5 mm (77.05" × 46.40" × 3.88")
Frame Size	U: 33.3 mm, L/R: 14.6 mm, D: 43.0 mm (U: 2.42", L/R: 0.69", D: 1.11")
Packaging Dimensions	2,110.0 mm × 225.0 mm × 1,304 mm (83.07" × 8.86" × 51.34")
Net Weight	64.38 kg (141.94 lb)
Gross Weight	77.60 kg (171.08 lb)
Holes Distance	800 mm × 600 mm (31.50" × 23.62")
Installation	Wall mount or mobile bracket
Packing List	power cord × 1 Smart interactive whiteboard × 1 Stylus pen × 2 Wall mount bracket × 1 remote control × 1 Pack of wall mount screws × 1
Certification	
Certifications	CE, EDLA, Energy Star

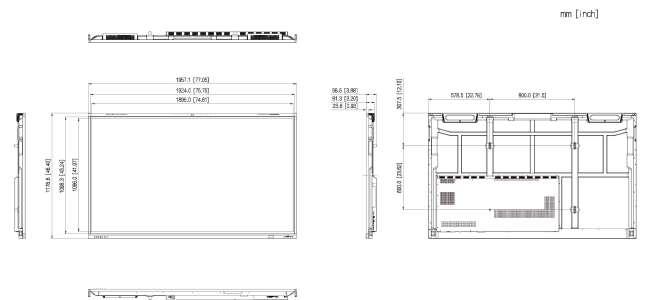
Ordering Information

Type	Model	Description
Smart interactive whiteboard	DHI-LPH86-MC480-U	86 inch Smart interactive whiteboard

Installation



Dimensions (mm[inch])



Panels

