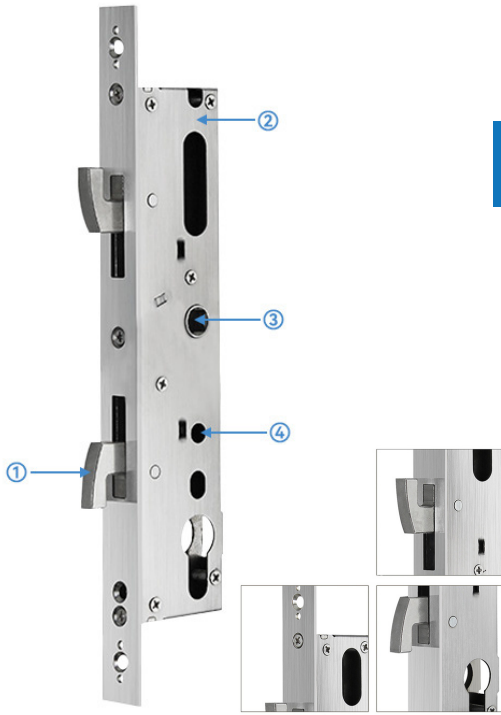


Detailed Description



1. Hook Bolt: SS304
2. Material: 1.5mm thick SS304 steel
3. Spindle: 8mm
4. Cycle test: 500,000
5. Finish: SSS



EURO HOOK MORTICE

- Designed for Business/Residential - Suitable locks ML-A210, ML-A231, ML-A236
- Meets ANSI / BHMA standards for more than 500,000 cycle tests. Pass BHMA Level 2 and Level 3
- All stainless steel body and latching tongues.
- Uses standard Euro cylinders.
- Dead latching with durable SS304 stainless steel deadbolt. Lift lock lever up for manual use of deadbolt.

EURO HOOK MORTICE

This McGrath Locks narrow case hook latch is designed to work with sliding or bifold doors. It is compatible with the Slimline ML-A210, ML-A231 and ML-A236 McGrath Locks. Available in two sizes, 28mm & 35mm back set.

<p>ML-SP-H-28/85-HOOK</p> <p>Dimensions: Lock case: 208mm x 42mm Faceplate: 270mm x 22mm Lock centres: 85mm Backset: 28mm</p>	<p>ML-SP-H-35/85-HOOK</p> <p>Dimensions: Lock case: 208mm x 46mm Faceplate: 270mm x 22mm Lock centres: 85mm Backset: 35mm</p>
--	--


EURO HOOK MORTICE

Part Number

- ML-SP-H-28/85-HOOK
- ML-SP-H-35/85-HOOK

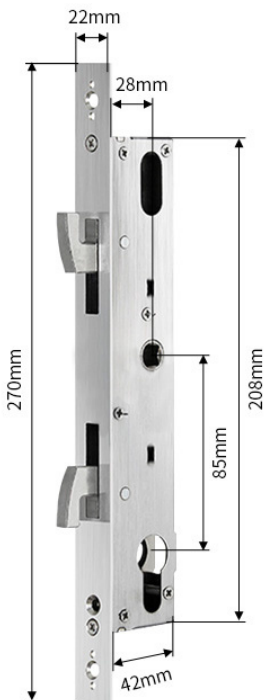
Accessories:

- Strike plate
- Strike plate pocket
- Fixing screws

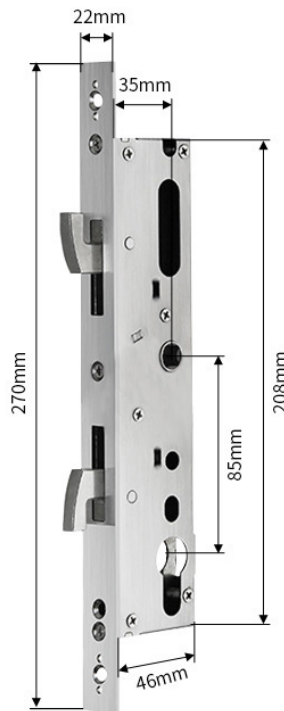


Dimensions

ML-SP-H-28/85-HOOK



ML-SP-H-35/85-HOOK



McGrath Locks
Making Access Easier

McGrath Locks are committed to meeting the rising demand for smarter, easier access solutions for home and business owners. Enhance the appearance of your home with one of our sleek new generation digital locks. An elegant first impression on entry.

McGrath Locks offer a range of smart and convenient solutions for easier access for your home and business. Connect your smart lock to a WiFi network using a gateway and you are able to control your locks from anywhere in the world..... at any time.

Choose from our range of sophisticated locks, either striking contemporary design or classic traditional style, all engineered and crafted with quality and durability in mind.